

PLEASE CHECK WWW.MOLEX.COM FOR LATEST PART INFORMATION

Part Number: [0365020134](#)
Status: **Active**
Overview: [din_41612](#)
Description: 2.54mm (.100") Pitch DIN 41612 C Style Male Header, Right Angle, Through Hole, 0.30µm (12µ") Selective Gold (Au) Plating, 96 Circuits, with Mounting Clips, High Temperature version

Documents:

[Drawing \(PDF\)](#) [RoHS Certificate of Compliance \(PDF\)](#)
[Product Specification PS-36502-001 \(PDF\)](#)

General

Product Family	Backplane Connectors
Series	36502
Application	Backplane
Comments	With Mounting Clips, No Premating Contact Positions
Component Type	PCB Header
Overview	din_41612
Product Name	IEC 603-2/DIN 41612
Style	C

Physical

Circuits (Loaded)	96
Circuits (maximum)	96
Circuits Detail	1,2,3,...32; a+b+c
Color - Resin	Natural
Durability (mating cycles max)	50
First Mate / Last Break	Yes
Guide to Mating Part	No
Keying to Mating Part	Yes
Material - Metal	Brass
Material - Plating Mating	Gold
Material - Plating Termination	Tin
Material - Resin	Polyester
Number of Columns	32
Number of Pairs	Open Pin Field
Number of Rows	3
Orientation	Right Angle
PC Tail Length (in)	0.118 In
PC Tail Length (mm)	3.00 mm
PCB Locator	No
PCB Retention	Yes
PCB Thickness Recommended (in)	0.063 In
PCB Thickness Recommended (mm)	1.60 mm
Packaging Type	Carton
Pitch - Mating Interface (in)	0.100 In
Pitch - Mating Interface (mm)	2.54 mm
Pitch - Term. Interface (in)	0.100 In
Pitch - Term. Interface (mm)	2.54 mm
Plating min: Mating (µin)	12
Plating min: Mating (µm)	0.30
Plating min: Termination (µin)	98
Plating min: Termination (µm)	2.5
Polarized to PCB	Yes
Stackable	No
Surface Mount Compatible (SMC)	No

EU RoHS **China RoHS**

Compliance Status

Not Reviewed

REACH SVHC

Not Reviewed

Halogen-Free

Status

Not Reviewed

Need more information on product environmental compliance?

Email productcompliance@molex.com
 For a multiple part number RoHS Certificate of Compliance, [click here](#)

Please visit the [Contact Us](#) section for any non-product compliance questions.

Search Parts in this Series

[36502Series](#)

Temperature Range - Operating -55°C to +125°C
Termination Interface: Style Through Hole

Electrical

Current - Maximum per Contact 1A
Data Rate 622.0 Mbps
Voltage - Maximum 250V AC (RMS)

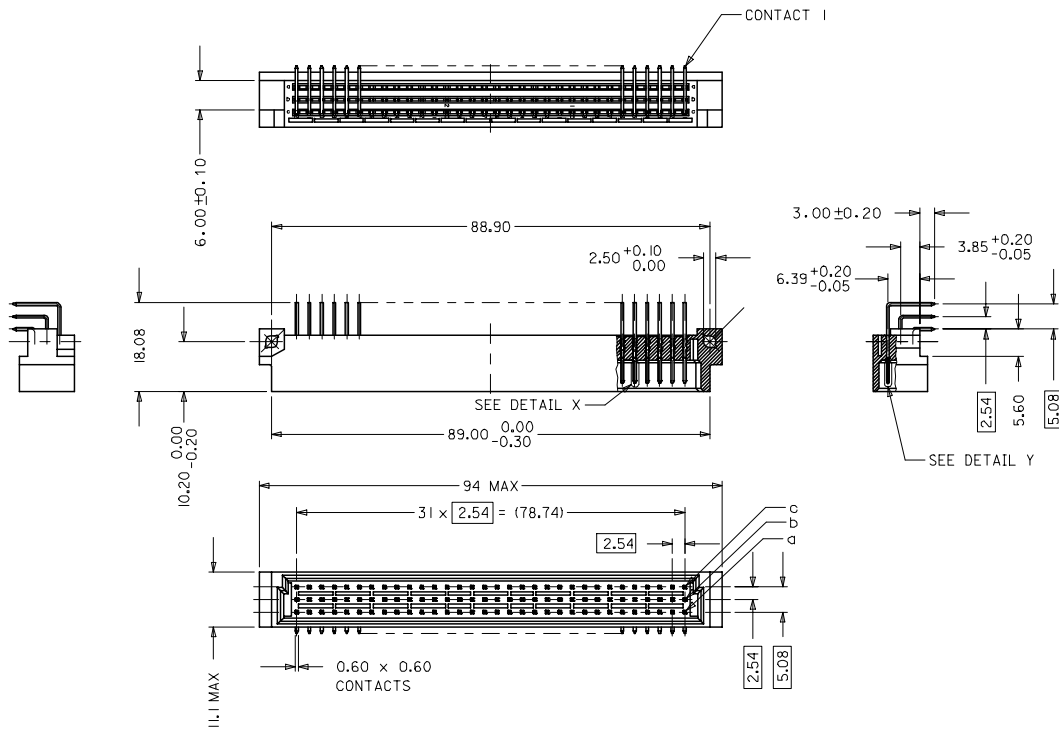
Material Info

Reference - Drawing Numbers

Packaging Specification PK-36502-001
Product Specification PS-36502-001
Sales Drawing SD-36502-020

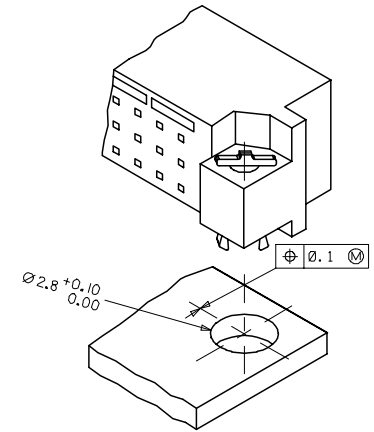
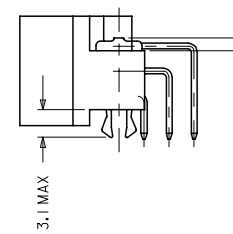
This document was generated on 05/13/2010

PLEASE CHECK WWW.MOLEX.COM FOR LATEST PART INFORMATION

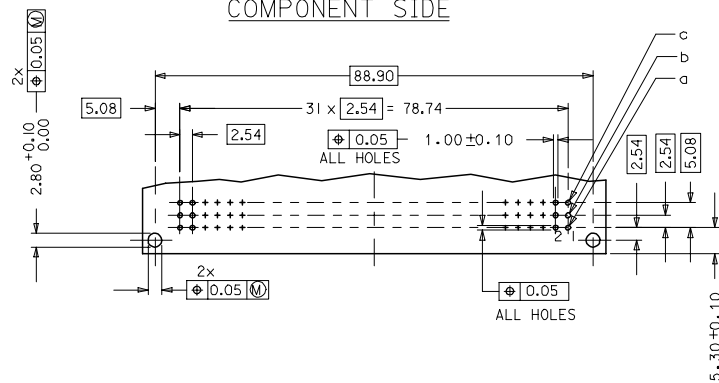


WITH MOUNTING CLIPS

8:1



RECOMMENDED PCB LAYOUT
COMPONENT SIDE



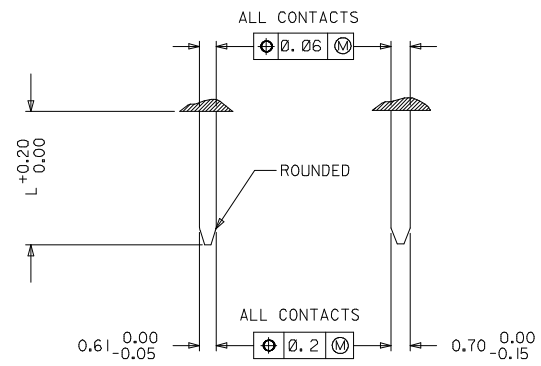
NOTES:

- MATERIALS: PCT, CLASS FILLED, UL94V-0, COLOUR: NATURAL
TERMINAL - BRASS
MOUNTING CLIP: STEEL
- FINISH: TERMINAL:-
CONTACT AREA
 - PERFORMANCE LEVEL 1: SELECTIVE GOLD (Au), THICKNESS = 1.1 MICROMETER
OVER NICKEL, THICKNESS = 1.25 MICROMETER
 - PERFORMANCE LEVEL 2: SELECTIVE GOLD (Au), THICKNESS = 0.6 MICROMETER
OVER NICKEL, THICKNESS = 1.25 MICROMETER
 - PERFORMANCE LEVEL 3: SELECTIVE GOLD (Au), THICKNESS = 0.3 MICROMETER
OVER NICKEL, THICKNESS = 1.25 MICROMETER
 TERMINATION AREA:
SELECTIVE TIN, THICKNESS = 2.5 MICROMETER
OVER NICKEL, THICKNESS = 1.25 MICROMETER OVERALL
- MOUNTING CLIP:-
TIN (Sn), THICKNESS = 5-10 MICROMETER,
OVER NICKEL (Ni), THICKNESS = 2.5 MICROMETER
- FOR NON MOUNTING CLIP OPTION, CONNECTOR TO BE SECURED WITH
RIVETS: 2 TUBULAR RIVETS 2.5 x 0.3 ... DIN 7340
SCREWS: 2 CHEESEHEAD SCREWS M2.5 x DIN 84 AND 2 HEXAGONAL NUTS M2.5 DIN 934
- FOR CUSTOMER PART NO. PRINTING DETAILS
REFER SHEET 2.
- CUT FACE OF TIP WITHOUT PLATING PERMITTED
- PRODUCT SPECIFICATION PS : 36502-002

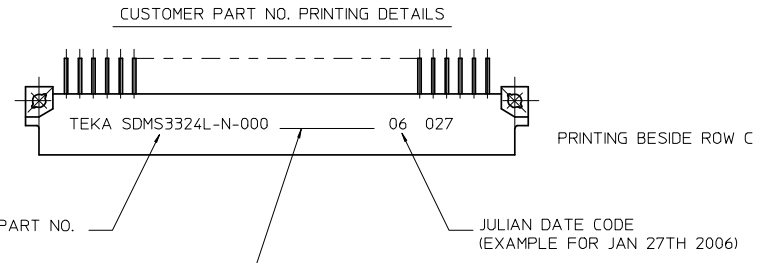
RoHS COMPLIANT

ENTER DESCRIPTION ELC.MC.12007.0261 DRWNGSATTI/MARAD 2007/07/18 CHKDR/PRASAD 2007/07/19 APPROV/PRASAD 2007/07/19 REV: A2	QUALITY SYMBOLS ▽=0 ▽=0	GENERAL TOLERANCES (UNLESS SPECIFIED)		DIMENSION STYLE MM ONLY		SCALE	DESIGN UNITS	THIRD ANGLE PROJECTION
		mm	INCH	DATE	TITLE	2:1	METRIC	
		4 PLACES ±	±	DRAWN BY	DATE	ASSY DIN41612 96 POS C MALE, HIGH TEMP CONN. CUSTOMER SPECIAL PRINT		
		3 PLACES ± 0.05	±	SHANKAR	2006/05/30	MOLEX INCORPORATED		
		2 PLACES ± 0.1	±	CHECKED BY	DATE	SD-36502-020		
		1 PLACE ± 0.15	±	SSUDHIR	2006/05/30	1 OF 2		
		ANGULAR ± 2°		APPROVED BY	DATE			
		DRAFT WHERE APPLICABLE MUST REMAIN WITHIN DIMENSIONS		SSUDHIR	2006/05/30			
				MATERIAL NO.	DOCUMENT NO.			
				SEE SHEET 2	SD-36502-020			
				THIS DRAWING CONTAINS INFORMATION THAT IS PROPRIETARY TO MOLEX INCORPORATED AND SHOULD NOT BE USED WITHOUT WRITTEN PERMISSION				

20	19	18	17	16	15	14
MATERIAL No	PERF LEVEL	PLATING	CONTACT SEQUENCE/ROW	PREMATING CONTACT POS.	MOUNTING CLIP	
36502-0134	3	Au+NI	1,2,3,...32 a+b+c	N0	YES	



PRE MATING CONTACTS	5.4
NORMAL CONTACTS	4.8
	L



THIS UNDER LINE IS BLANK SPACE OF 19MM APPROXIMATELY TO ACHIEVE THIS GAP LEAVE THE SPACE OF 12 LETTERS

RoHS COMPLIANT

ENTER DESCRIPTION E.C. NO: 12008-0404 DRAWNS: 2008/03/03 CHKDR:KPRASAD 2008/03/03 APPR:KPRASAD 2008/03/03 A3	QUALITY SYMBOLS ▽=0 ▽=0	GENERAL TOLERANCES (UNLESS SPECIFIED)		DIMENSION STYLE MM ONLY	SCALE 2:1	DESIGN UNITS METRIC	THIRD ANGLE PROJECTION		
		4 PLACES ± --- ± --- 3 PLACES ± 0.05 ± --- 2 PLACES ± 0.1 ± --- 1 PLACE ± 0.15 ± ---	mm INCH	DRAWN BY SHANKAR	DATE 2006/05/30	TITLE ASSY DIN41612 96 POS C MALE, HIGH TEMP CONN. CUSTOMER SPECIAL PRINT			
		ANGULAR ± 2 °	DRAFT WHERE APPLICABLE MUST REMAIN WITHIN DIMENSIONS	CHECKED BY SSUDHIR	DATE 2006/05/30	MOLEX INCORPORATED			
		SEE CHART	MATERIAL NO. SD-36502-020	APPROVED BY SSUDHIR	DATE 2006/05/30	DOCUMENT NO.	SHEET NO. 2 OF 2		

THIS DRAWING CONTAINS INFORMATION THAT IS PROPRIETARY TO MOLEX INCORPORATED AND SHOULD NOT BE USED WITHOUT WRITTEN PERMISSION